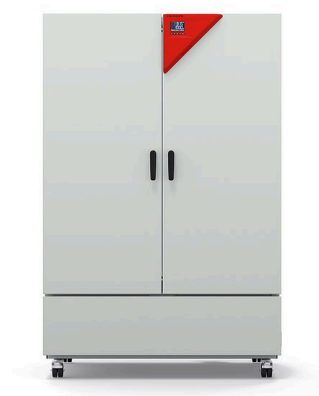


Model KB ECO 720 | Cooling incubators with environmentally friendly thermoelectric cooling

Thanks to thermoelectric cooling technology with patented heat dissipation, the new KB ECO cooling incubator is one of the most energy-efficient cooling incubator on the market. The thermoelectric cooling technology means the KB ECO series is also very quiet during operation.

BENEFITS

- Safe: Unique condensate and dry-out protection for all operating conditions
- Reliable: Fail-safe operation due to intelligent thermoelectric tempering
- Smart: Temperatures programmable for intermitted incubation and refrigeration
- Economical: Minimum energy consumption thanks to optimized thermoelectric cooling



Model KB ECO 720



Model KB ECO 720

MAIN FEATURES

- Temperature range: 0 °C through +70 °C (max. 26 °C below the ambient temperature)
- APT.line™ preheating chamber technology
- Electric temperature control thanks to thermoelectric cooling module with innovative heat dissipation
- Inner door made of tempered safety glass
- Inner chamber made completely of stainless steel
- 2 stainless steel racks
- Adjustable condensate protection
- Access port with silicone plug Ø 30 mm
- LCD to display temperature along with additional information and alarms
- Internal data logger, measured values can be read out in open format via USB
- Unit self-test for comprehensive status analysis
- Computer interface: Ethernet

ORDERING INFORMATION

| Interior volume [L] | Voltage | Option model | Version | Art.-No. |
|---------------------|----------------------------|--------------|-----------------|-----------|
| 700 | 200...230 V 1~ ph 50/60 Hz | Standard | KBECO720-230V | 9020-0424 |
| | 100...120 V 1~ ph 50/60 Hz | Standard | KBECO720UL-120V | 9020-0427 |

TECHNICAL DATA

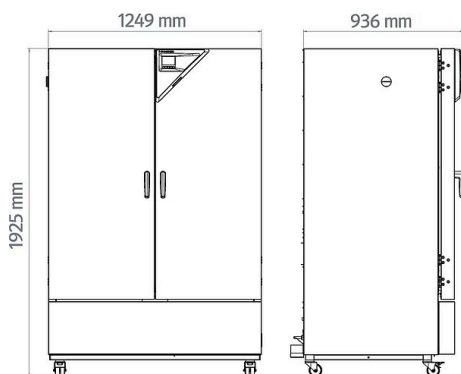
| Description | KBECO720-230V ¹ | KBECO720UL-120V ¹ |
|---|----------------------------|------------------------------|
| Article Number | 9020-0424 | 9020-0427 |
| Performance Data Temperature | | |
| Temperature range (max. 26 °C under ambient temperature) [°C] | 0...70 | 0...70 |
| Temperature variation at 37 °C [± K] | 0.1 | 0.1 |
| Temperature fluctuation at 37 °C [± K] | 0.1 | 0.1 |
| Max. heat compensation at 40 °C [W] | 500 | 500 |
| Recovery time after 30 seconds door open at 37 °C [min] | 4 | 4 |
| Electrical data | | |
| Rated Voltage [V] | 200...230 | 100...120 |
| Power frequency [Hz] | 50/60 | 50/60 |
| Nominal power [kW] | 1.3 | 1.3 |
| Unit fuse [A] | 16 | 16 |
| Phase (Nominal voltage) | 1~ | 1~ |
| Measures | | |
| Interior volume [L] | 700 | 700 |
| Net weight of the unit (empty) [kg] | 272 | 272 |
| Permitted load [kg] | 150 | 150 |
| Load per rack [kg] | 45 | 45 |
| Wall clearance back [mm] | 100 | 100 |
| Wall clearance sidewise [mm] | 100 | 100 |
| Internal Dimensions | | |
| Interior width [mm] | 973 | 973 |
| Interior height [mm] | 1250 | 1250 |
| Interior depth [mm] | 576 | 576 |
| Doors | | |
| Inner doors | 2 | 2 |
| Unit doors | 2 | 2 |
| Housing dimensions not incl. fittings and connections | | |
| Width net [mm] | 1250 | 1250 |
| Height net [mm] | 1925 | 1925 |
| Depth net [mm] | 885 | 885 |
| Environment-specific data | | |
| Energy consumption at 37 °C [Wh/h] | 105 | 105 |
| Sound-pressure level [dB(A)] | 47 | 47 |
| Fixtures | | |
| Number of shelves (std./max.) | 2/15 | 2/15 |

¹ All technical data is specified for unloaded units with standard equipment at an ambient temperature of +22 °C ±3 °C and a power supply voltage fluctuation of ±10 %. The temperature data is determined to BINDER factory standard following DIN 12880, observing the recommended wall clearances of 10 % of the height, width, and depth of the inner chamber. Technical data refers to 100 % fan speed. All indications are average values, typical for units produced in series. We reserve the right to change technical specifications at any time.

For model KB ECO 240 and KB ECO 400 temperature differences are possible up to 28 °C below ambient temperature; for models KB ECO 720 and KB ECO 1020, temperature differences are possible up to 26 °C below ambient temperature.

The lowest operating temperature for all units is 0 °C irrespective of the ambient temperature.

DIMENSIONS incl. fittings and connections [mm]



OPTIONS

| Designation | Description | * | Art.-No. |
|---|---|----|-----------|
| | left | | |
| | 30 mm | 01 | 8012-2113 |
| | 50 mm | 01 | 8012-2120 |
| | 100 mm | 01 | 8012-2118 |
| | right | | |
| Access port with silicone plug | 30 mm | 01 | 8012-2112 |
| | 50 mm | 01 | 8012-2119 |
| | 100 mm | 01 | 8012-2117 |
| | top | | |
| | 30 mm | 01 | 8012-2114 |
| | 50 mm | 01 | 8012-2115 |
| | 100 mm | 01 | 8012-2116 |
| Calibration certificate, expanded | for temperature; for extending the measurement in center of chamber to include another test temperature | - | 8012-2107 |
| | for temperature, measurement in center of chamber at specified temperature | - | 8012-2106 |
| Calibration certificate, temperature | temperature measurement incl. certificate and 27 measuring points at specified temperature | - | 8012-2110 |
| | temperature measurement incl. certificate, 15- 18 measuring points at specified temperature | - | 8012-2109 |
| | temperature measurement incl. certificate, 9 measuring points at specified temperature | - | 8012-2108 |
| Door lock | lockable door handle | - | 8012-2122 |

* Notes › See last page

ACCESSORIES

| Designation | Description | * | Art.-No. |
|--|---|---|-----------|
| APT-COM™ 4 BASIC-Edition | for simple logging and documentation requirements with up to 5 networked units. version 4, BASIC edition | - | 9053-0039 |
| APT-COM™ 4 GLP-Edition | for working under GLP-compliant conditions. Measured values are documented in a tamper-proof way in line with the requirements of FDA Regulation 21 CFR 11. version 4, GLP edition | - | 9053-0042 |
| APT-COM™ 4 PROFESSIONAL-Edition | convenient unit and user management built on the BASIC edition. Suitable for networking up to 100 units. version 4, PROFESSIONAL edition | - | 9053-0040 |

* Notes › See last page

| Designation | Description | * | Art.-No. |
|-------------------------|---|---|-----------|
| LED light bars | Basic set consisting of 2 pieces, attachment material, control unit for max. 4 light strips, 100-240 V, 50/60 Hz | | |
| | Basic set 300, length 30 cm | – | 8012-1107 |
| | Basic set 500, length 50 cm | – | 8012-1108 |
| | Basic set 900, length 90 cm | – | 8012-1109 |
| | Expansion set consisting of 2 pieces, attachment material: clips. For expanding the basic set of light bars | | |
| | Expansion set 300, length 30 cm | – | 8012-1716 |
| | Expansion set 500, length 50 cm | – | 8012-1717 |
| pH-neutral detergent | Expansion set 900, length 90 cm | – | 8012-1718 |
| | concentrated, for gentle remove of residual contaminants; 1 kg | – | 8012-2250 |
| | | | |
| Qualification documents | IQ/OQ documents – supporting documents for validation performed by customers, consisting of: IQ/OQ checklists incl. calibration guide and comprehensive unit documentation; parameters: temperature, CO ₂ , O ₂ , pressure, depending on unit | | |
| | Digital in PDF format | – | 7057-0001 |
| | Hard copy inside folder | – | 7007-0001 |
| | IQ/OQ/PQ documents – supporting documents for validation performed by customers, according to customer requirements, PQ section added to qualification folder IQ/OQ; parameters: temperature, CO ₂ , O ₂ – or pressure, depending on unit | | |
| | Digital in PDF format | – | 7057-0005 |
| Rack | Hard copy inside folder | – | 7007-0005 |
| | stainless steel | – | 8012-2051 |
| Rack, reinforced | stainless steel, with fasteners (1 set of 4) | – | 8012-0674 |
| Shelf, perforated | Stainless steel | – | 8012-2252 |

* Notes › See last page

SERVICES

| Designation | Description | * | Art.-No. |
|--|---|------------|-----------|
| Maintenance contracts | | | |
| Installation services | | | |
| Maintenance services | | | |
| Calibration services | | | |
| Validation services | | | |
| BRONZE 3-year maintenance contract | Maintenance service as contractually agreed, visual inspection of mechanical and electrical components, check of control response, 20% discount on spare parts | 05 | DL20-0710 |
| Calibration certificate, temperature | Calibration of one (1) test temperature specified by the user in center of chamber, including certificate | 03, 04, 05 | DL30-0101 |
| | Extension of calibration of one (1) additional test temperature specified by the user in the center of the usable space, including certificate | 03, 04, 05 | DL30-0102 |
| Execution of IQ/OQ | Execution of IQ/OQ in accordance with qualification folder | 05 | DL41-0200 |
| Execution of IQ/OQ/PQ | Execution of IQ/OQ/PQ in accordance with qualification folder | 05 | DL44-0500 |
| GOLD 3-year maintenance contract | Maintenance service as contractually agreed, visual inspection of mechanical and electrical components, check of control response, 20% discount on spare parts, testing of all key functions, replacement of wear parts, calibration of one test temperature specified by the user in the center of the usable space, including certificate | 05 | DL20-0910 |
| Maintenance | One-off maintenance service in accordance with maintenance schedule. Visual inspection of mechanical and electrical components, testing of all key functions. Calibration of a test temperature specified by the user in center of usable space without certificate | 05 | DL20-0200 |
| SILVER 3-year maintenance contract | Maintenance service as contractually agreed, visual inspection of mechanical and electrical components, check of control response, 20% discount on spare parts, testing of all key functions, calibration of one test temperature specified by the user in the center of the usable space, without certificate | 05 | DL20-0810 |
| Temperature measurement, 18 measuring points | Temperature measurement with 18 measuring points with a set value specified by the user, including certificate | 03, 04, 05 | DL30-0118 |

* Notes › See last page

| Designation | Description | * | Art.-No. |
|--|--|------------|-----------|
| Temperature measurement, 27 measuring points | Temperature measurement with 27 measuring points with a set value specified by the user, including certificate | 03, 04, 05 | DL30-0127 |
| Temperature measurement, 9 measuring points | Temperature measurement with 9 measuring points with a set value specified by the user, including certificate | 03, 04, 05 | DL30-0109 |
| Unit commissioning | Connect the unit to the customer-side connections (electricity, water, wastewater, gas), basic functions check, brief operating instructions. (excl.: unpacking, setup, controller instructions, programming, installation work) | 05 | DL10-0100 |
| Unit instructions | Instruction regarding operating principle and basic functions of the unit, operation of the control electronics including programming | 05 | DL10-0500 |

* Notes › See last page

NOTES

- 01 Condensation may occur in the area around the access port. Access ports may be placed in custom locations for an additional charge.
- 02 UL mark is not granted when this option is used.
- 03 Sensor calibration is performed in an accredited calibration laboratory.
- 04 Calibration is performed according to the BINDER factory standard.
- 05 Quoted prices do not include travel costs. Please refer to the chapter on BINDER Service for travel costs for your region. Quoted prices for services performed in Switzerland do not include a country-specific added fee (available on request).



WolfLabs

Pricing on any accessories shown can be found by keying the part number into the search box on our website.

The specifications listed in this brochure are subject to change by the manufacturer and therefore cannot be guaranteed to be correct. If there are aspects of the specification that must be guaranteed, please provide these to our sales team so that details can be confirmed.

www.wolflabs.co.uk

Tel : 01759 301142

Fax : 01759 301143

sales@wolflabs.co.uk

Please contact us if this literature doesn't answer all your questions.